

# 2.2

## Molded Case Circuit Breakers

### Power Defense Molded Case Circuit Breakers

#### Catalog Number / Product Selection

2

#### Power Defense—Frame Size 6 (700–2500 A)

Frame Size 6 covers a range of 700 A through 2500 A using electronic trip units. It is available in configurations of 2-pole, 3-pole and 4-pole, with the 2-pole being in the same physical size of a 3-pole variant.

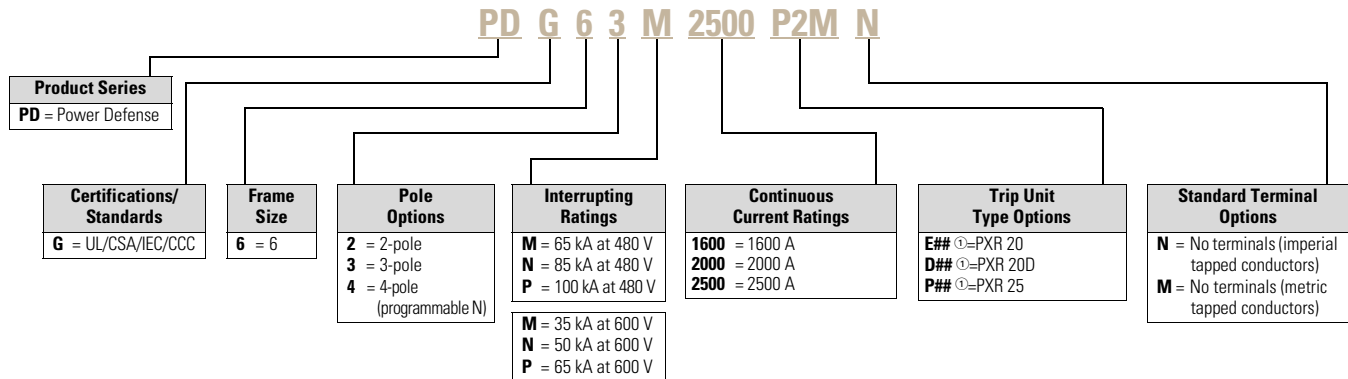
#### Interrupting Ratings

	M		N		P	
UL/CSA	kA rms		kA rms		kA rms	
240 Vac	125		150		200	
480 Vac	65		85		100	
600 Vac	35		50		65	
IEC	I <sub>cu</sub>	I <sub>cs</sub>	I <sub>cu</sub>	I <sub>cs</sub>	I <sub>cu</sub>	I <sub>cs</sub>
240 Vac	135	100	150	100	200	100
380–415 Vac	70	53	70	53	100	53
440 Vac	50	40	70	50	100	50
480 Vac	50	30	65	40	85	40
525 Vac	30	25	35	25	40	25
660–690 Vac	15	7.5	20	13	35	18

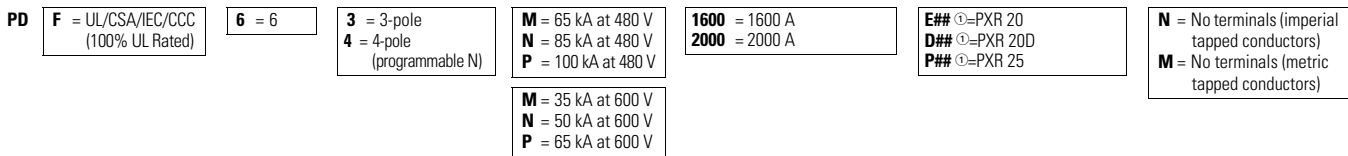
#### Molded Case Circuit Breakers with Power Xpert Release (PXR) Electronic Trip Units (ETU)

This information is presented as a tool to develop catalog numbers for selecting Power Defense circuit breakers and trip units.

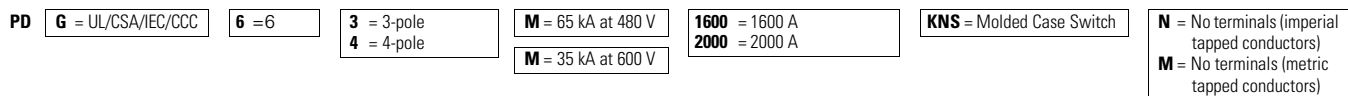
#### Molded Case Circuit Breakers with PXR ETU—Globally Rated



#### Molded Case Circuit Breakers with PXR ETU—Globally Rated (100% UL Rated)



#### Molded Case Switches—Globally Rated ⊗



#### Notes

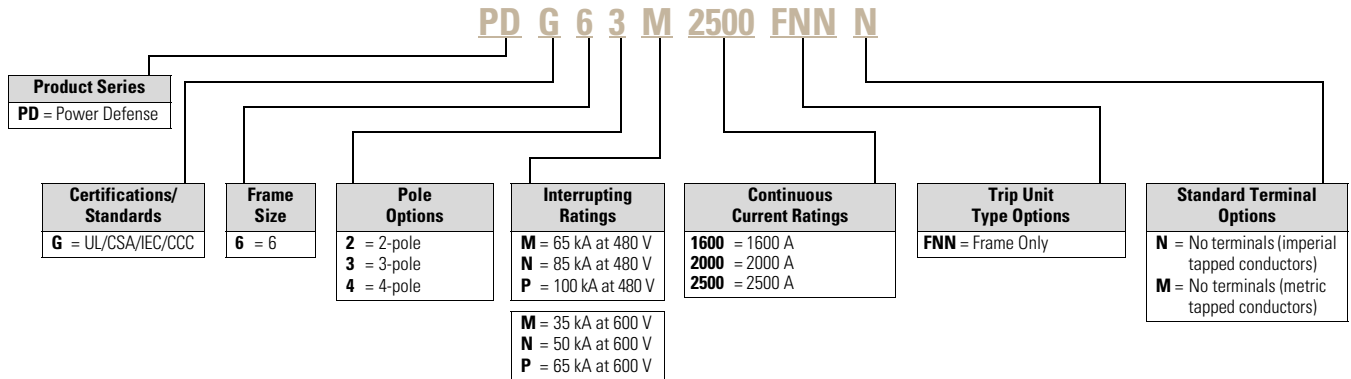
- ⊕ See tables and descriptions on **Page V4-T2-82** for protection type (#<sub>1</sub>) and available configured options (#<sub>2</sub>).
- ⊗ Molded case switch may open above 17,500 A.

### Globally Rated Frame Only

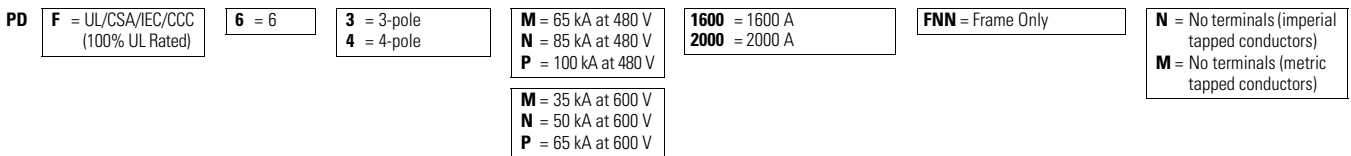
PD-6 electronic breakers may also be purchased as separate frames, trip units, terminals, and accessories for field configuration of a final breaker. Each Frame Only device is marked with interrupting ratings and a maximum continuous current rating; each trip unit is also marked with a maximum continuous current rating, which must not exceed that of the frame. Additionally, 100% UL Rated frames are marked as such on the Frame Only device.

This information is presented as a tool to develop catalog numbers for selecting Power Defense circuit breakers and trip units.

### Frame Only—Globally Rated



### Frame Only—Globally Rated (100% UL Rated)



### Trip Units

PD-6 electronic breakers may also be purchased as separate frames, trip units, terminals, and accessories for field configuration of a final breaker. Each frame rating (1600 A, 2000 A, and 2500 A) must use trip units of the same rating. Additionally, for two-pole breakers, three-pole trip units are used.

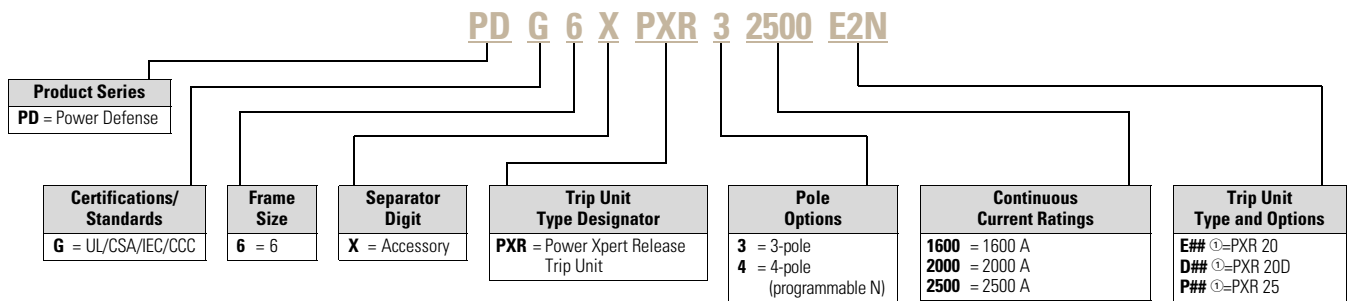
PDG designated trip units are for use with PDG and PDF breaker frames. The 100% rating for PDF (100% UL Rated) is marked on the frame, not the trip unit.

### Trip Units Only

This information is presented as a tool to develop catalog numbers for selecting Power Defense circuit breakers and trip units.

### Power Xpert Release (PXR) Electronic Trip Units

### Power Xpert Release (PXR) Electronic Trip Units



### Note

⊕ See PXR Trip Unit Options table on Page V4-T2-82 for protection type (#<sub>(1)</sub>) and available configured options (#<sub>(2)</sub>).